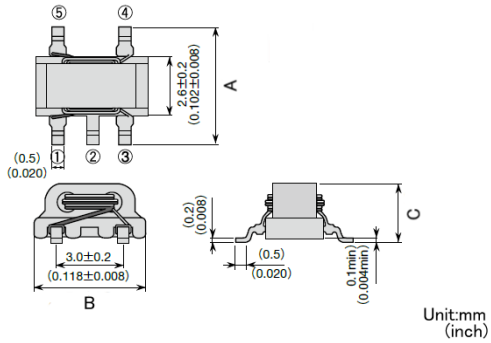


SMD Common Mode Choke Coils for DC and Signal Lines

BU05MC01T



■ Features

- Item Summary
1000Ω, 1 A, 5.3x5.0x2.9mm
- Lifecycle Stage
Mass Production
- Standard packaging quantity (minimum)
Taping 2500pcs

■ Products characteristics table

No. of Lines	2
Common Mode Impedance	1000 Ω typ at 60MHz
Case Size (mm)	5.3x5.0
DC Resistance (max)	0.12 Ω
Rated Current (max)	1 A
Rated Voltage (max)	50 V
Operating Temp. Range	-25 to +105 °C (Including-self-generated heat)
Insulation Resistance (min)	100 MΩ
RoHS2 Compliance (10 subst.)	Yes
REACH Compliance (173 subst.)	Yes
Soldering	Reflow

■ External Dimensions

Dimension A	5.3 ±0.5 mm
Dimension B	5.0 ±0.3 mm
Dimension C	2.7 ±0.2 mm

2017.04.30

The data is reference only. Electrical characteristics vary depending on environment or measurement condition. TAIYO YUDEN reserves the right to make change to the Date at any time without notice. Before making final selection, please check product specification.