

C1608NP02A2R2C080AA

TDK Item Description : C1608NP02A2R2CT****

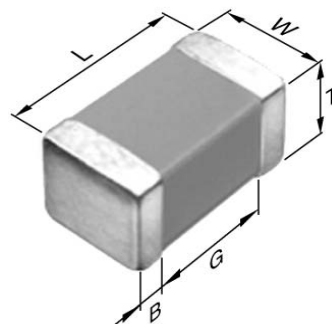


Application & Main Feature

Commercial Grade (High Temperature Application)

Series

C1608 [EIA CC0603]



Dimensions

L 1.60mm +/-0.1mm
 W 0.80mm +/-0.1mm
 T 0.80mm +/-0.1mm
 B 0.20mm Min.
 G 0.30mm Min.

Temperature Characteristic

NP0 (-55 to 150 degC 0+/-30ppm/degC)

Rated Voltage

2A (100Vdc)

Capacitance

2.2pF

Capacitance Tolerance

C (+/-0.25pF)

Q Factor

444 Min.

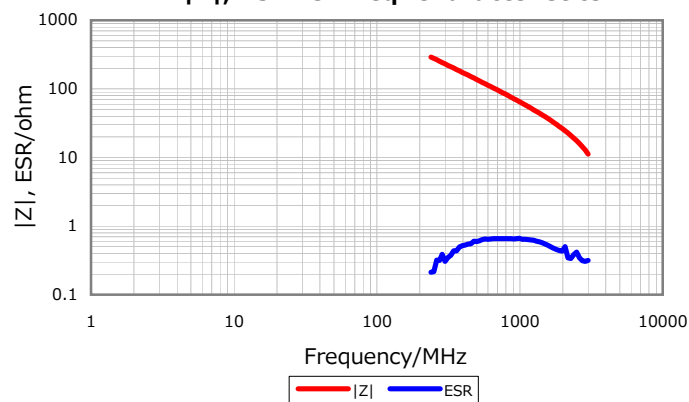
Insulation Resistance

10Gohm Min.

AEC-Q200

Not Applicable

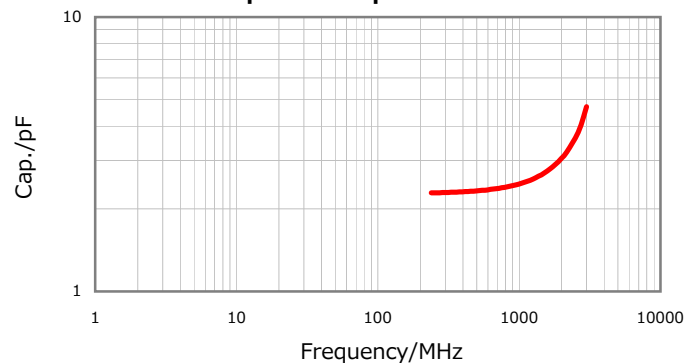
|Z|, ESR vs. Freq. Characteristics



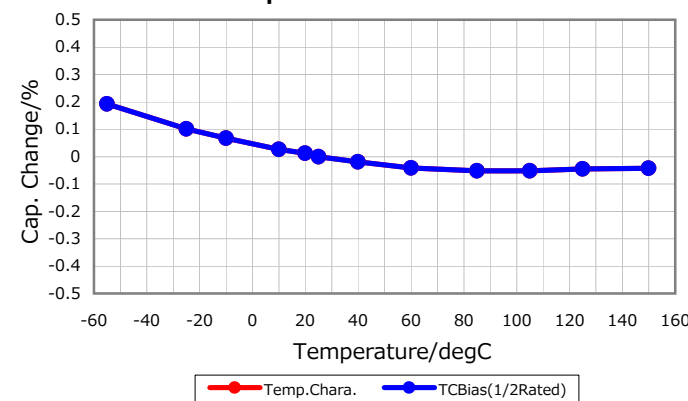
DC Bias Characteristic



Cap. vs. Freq. Characteristic



Temperature Characteristics



Characterization Sheet (Multilayer Ceramic Chip Capacitors)



All specifications are subject to change without notice.

January 3, 2016