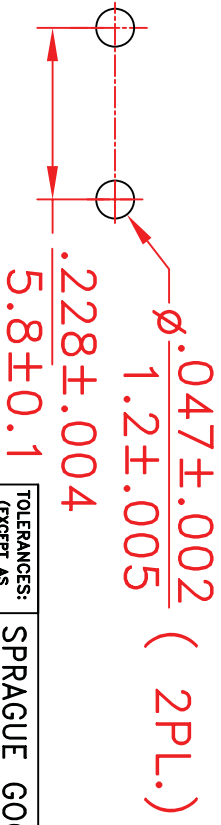
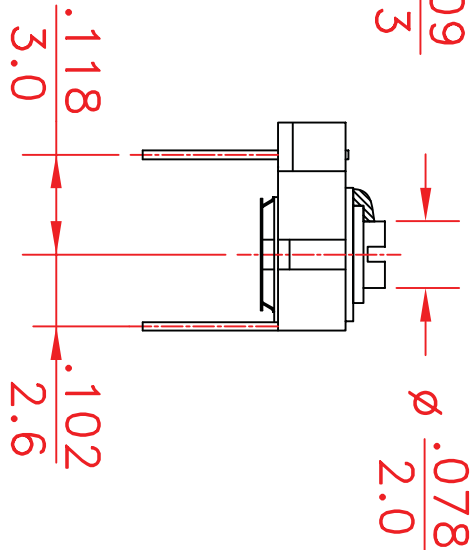
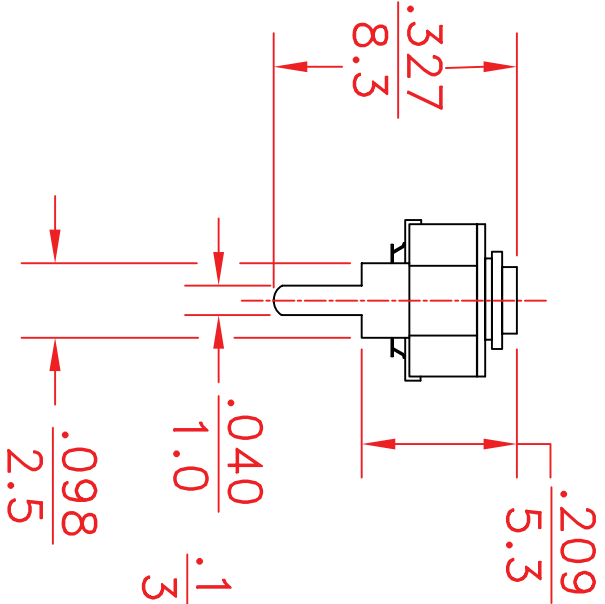
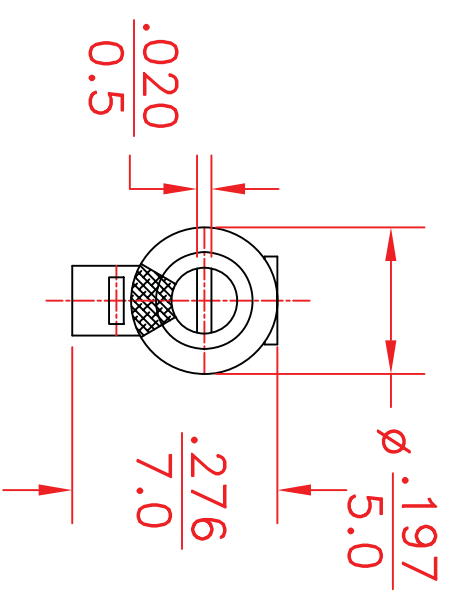


REV	DESCRIPTION	DATE	APP
00	NEW DRAWING	11/04/09	



MOUNTING HOLES LAYOUT

SPECIFICATIONS:

1. Capacitance : Cmin 14.0 pF
Cmax 90.0 pF
2. Operating temperature range : - 25°C to + 85°C
3. TCC : N2200 ± 500 ppm/°C
4. Q min at maximum rated capacitance : 200 at 1MHz
5. Voltage rating 100 VDC
6. Dielectric withstanding voltage: 220 VDC
7. Insulation resistance: 10⁴ Megohms min.
8. Torque : 35 to 200 g-cm (0.49 to 2.8 oz-in)
9. Termal resistance: 5 sec. @ 260°C +50 %
10. Vibration: 50 g @ 10-2000 Hz
11. Capacitance drift: 5 % or 1.5 pF whichever is grater

TOLERANCES: (EXCEPT AS NOTED)			
DECIMAL:	±0.002 in	SCALE:	4:1
FRACTIONAL:	±0.051 mm	DRAWN BY:	D.DITLYA
ANGULAR:	1°	APPROVED:	D.DITLYA
DATE: 11/04/09		DRAWING NUMBER: GKU90020	
TITLE: OUTLINE DWG P/N GKU90020		USED FOR:	
MATERIAL: SPRAGUE GOODMAN ELECTRONICS, INC. 1700 SHAMES DRIVE WESTBURY, NY 11590			