

# 1000Vdc, 1-20A

## Single-pole, non-serviceable in-line PV fuse holder and fuse assembly



### Catalog symbol:

- HPV-DV-(amp)A

### Description:

Eaton's Bussmann® series of HPV single-pole, non-serviceable photovoltaic in-line fuse holders/assemblies are available in an IP67 dust-tight and temporary water immersion resistant insulating boot for use in photovoltaic wire harnesses.

Final assembly of conductors (customer supplied), insulating boots and labeling to be performed by customer following the directions contained in instruction leaflet No. 3A1963.

### Ratings

- Volts 1000Vdc
- Amps 1-20A
- IR 33kA

### Agency information

- UL® Listed to 4248-1 and 4248-18. File E348242,
- CSA® component acceptance, Class 6225 30, File 47235
- CE, RoHS compliant, IP20 finger-safe, IP67

### Conductors

- 75°C/90°C Cu stranded 12-10AWG PV wire

### Terminals

- Crimp connection for single, stranded 12-10AWG PV conductor

### Boot material

- UL 5VA flammability resistant rated elastomer. UV resistant to UL F1 suitable for outdoor use.

### Operating and storage temperature range

- -40°C to +90°C

### Recommended tools

- Sta-Kon® terminal crimping tool, catalog #ERG4002
- Multi-Contact assembly tool, catalog #PV-RWZ with PV-KOI+II and PV-KOIII tapered spindles

### Packing

Bulk packed in cartons, 180 fuse assemblies per carton. Carton weight 19.3 Lbs (8.7543 kg)

Fuse assemblies poly bagged with PV fuse element, two insulating boots (for lineside and loadside), and one pressure sensitive label to be applied on outside after complete assembly to the wire harness.

### Catalog numbers (amps) and fuse elements\*

HPV catalog number	10x38mm PV fuse part number	Amps
HPV-DV-1A	PV-1A10F-CT	1
HPV-DV-2A	PV-2A10F-CT	2
HPV-DV-2.5A	PV-2.5A10F-CT	2.5
HPV-DV-3A	PV-3A10F-CT	3
HPV-DV-3.5A	PV-3.5A10F-CT	3.5
HPV-DV-4A	PV-4A10F-CT	4
HPV-DV-5A	PV-5A10F-CT	5
HPV-DV-6A	PV-6A10F-CT	6
HPV-DV-8A	PV-8A10F-CT	8
HPV-DV-10A	PV-10A10F-CT	10
HPV-DV-12A	PV-12A10F-CT	12
HPV-DV-15A	PV-15A10F-CT	15
HPV-DV-20A	PV-20A10F-CT	20

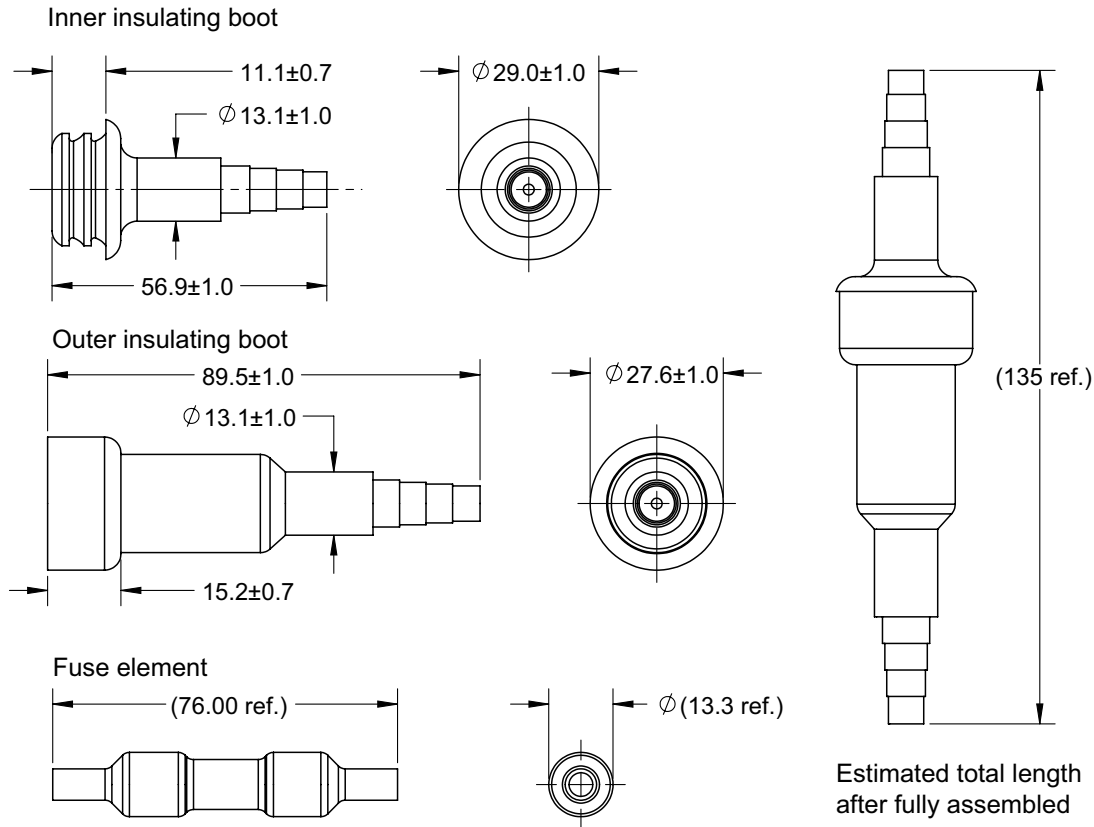
\* For fuse specifications and derating curves see data sheet no. 10121 at [eaton.com/bussmannseries](http://eaton.com/bussmannseries).

For assistance with design, installation or assembly related to this product. Call Bussmann series applications engineering at 636-527-1270, M-F, 7:00 a.m. to 5:00 p.m. Central Time, or email [fusetech@eaton.com](mailto:fusetech@eaton.com).

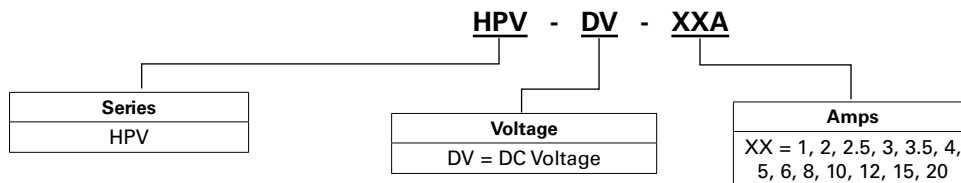


Powering Business Worldwide

**Dimensions - mm:**



**Catalog number system:**



The only controlled copy of this data sheet is the electronic read-only version located on the Eaton network drive. All other copies of this document are by definition uncontrolled. This bulletin is intended to clearly present comprehensive product data and provide technical information that will help the end user with design applications. Eaton reserves the right, without notice, to change design or construction of any products and to discontinue or limit distribution of any products. Eaton also reserves the right to change or update, without notice, any technical information contained in this bulletin. Once a product has been selected, it should be tested by the user in all possible applications.

**Eaton**  
1000 Eaton Boulevard  
Cleveland, OH 44122  
United States  
Eaton.com

Bussmann Division  
114 Old State Road  
Ellisville, MO 63021  
United States  
Eaton.com/bussmannseries

© 2015 Eaton  
All Rights Reserved  
Printed in USA  
Publication No. 2157 – BU-SB121079  
December 2015

Eaton and Bussmann are valuable trademarks of Eaton in the US and other countries. You are not permitted to use the Eaton trademarks without prior written consent of Eaton.

CSA is a registered trademark of the Canadian Standards Group.  
Sta-Kon is a registered trademark of Thomas & Betts  
UL is a registered trademark of Underwriters Laboratories, Inc.

For Eaton's Bussmann series product information, call 1-855-287-7626 or visit: [Eaton.com/bussmannseries](http://Eaton.com/bussmannseries)