

**ZXMN2AMC**

**20V DUAL N-CHANNEL ENHANCEMENT MODE MOSFET**

**Product Summary**

$V_{(BR)DSS}$	$R_{DS(on) max}$	$I_D max$ $T_A = 25^\circ C$ (Notes 4 & 7)
20V	120m $\Omega$ @ $V_{GS} = 4.5V$	3.7A
	300m $\Omega$ @ $V_{GS} = 2.5V$	2.3A

**Description and Applications**

This MOSFET has been designed to minimize the on-state resistance ( $R_{DS(on)}$ ) and yet maintain superior switching performance, making it ideal for high efficiency power management applications.

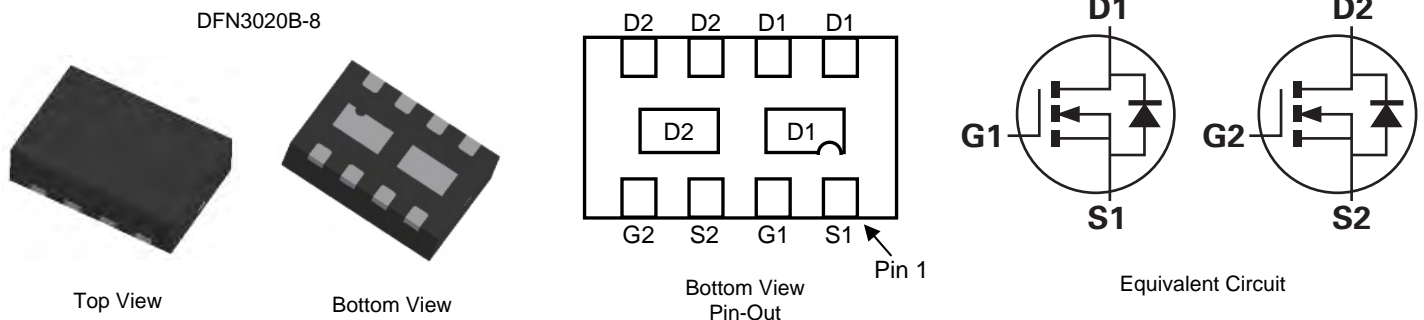
- DC-DC Converters
- Power management functions
- Disconnect switches
- Portable applications

**Features and Benefits**

- Low profile package, for thin applications
- Low  $R_{thj-a}$ , thermally efficient package
- 6mm<sup>2</sup> footprint, 50% smaller than TSOP6 and SOT23-6
- Low on-resistance
- Fast switching speed
- "Lead-Free", RoHS Compliant (Note 1)
- Halogen and Antimony Free. "Green" Device (Note 2)
- Qualified to AEC-Q101 Standards for High Reliability

**Mechanical Data**

- Case: DFN3020B-8
- Terminals: Pre-Plated NiPdAu leadframe
- Nominal package height: 0.8mm
- UL Flammability Rating 94V-0
- Moisture Sensitivity: Level 1 per J-STD-020
- Solderable per MIL-STD-202, Method 208
- Weight: 0.013 grams (approximate)



**Ordering Information** (Note 3)

Part Number	Marking	Reel size (inches)	Tape width (mm)	Quantity per reel
ZXMN2AMCTA	DNA	7	8	3000

- Notes:
1. No purposefully added lead
  2. Diodes Inc's "Green" policy can be found on our website at <http://www.diodes.com>.
  3. For packaging details, go to our website at <http://www.diodes.com>.

**Marking Information**



DNA = Product Type Marking Code  
Top View, Dot Denotes Pin 1

**ZXMN2AMC**

**Maximum Ratings** @T<sub>A</sub> = 25°C unless otherwise specified

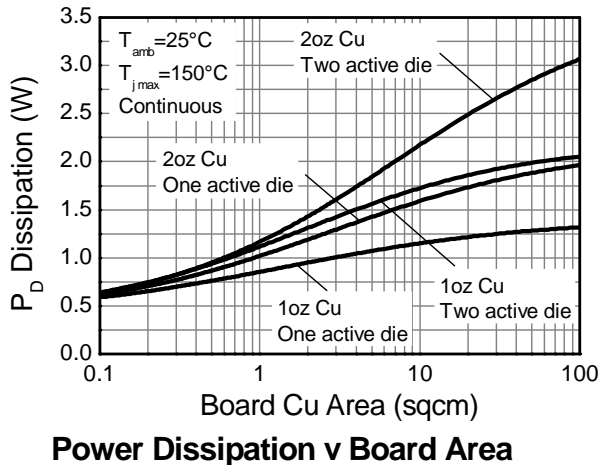
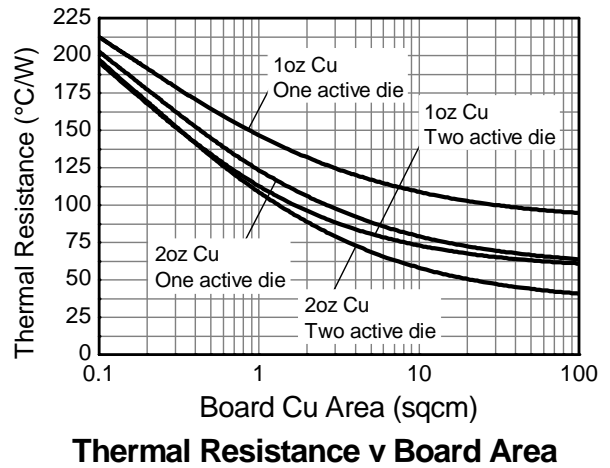
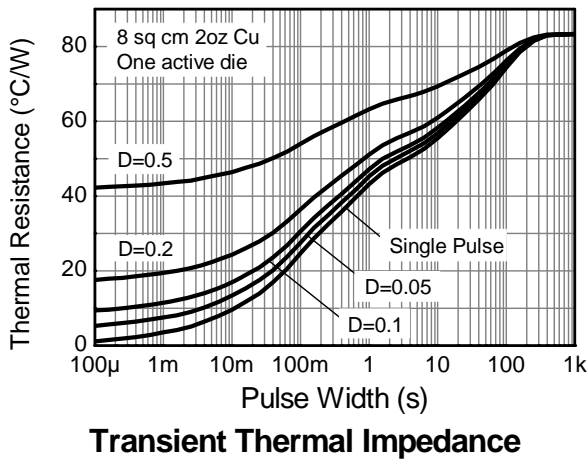
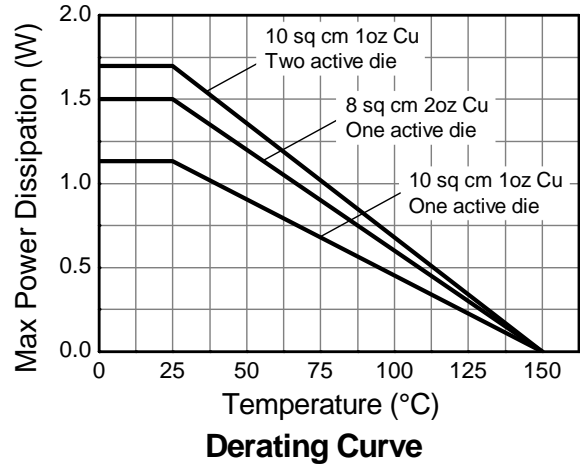
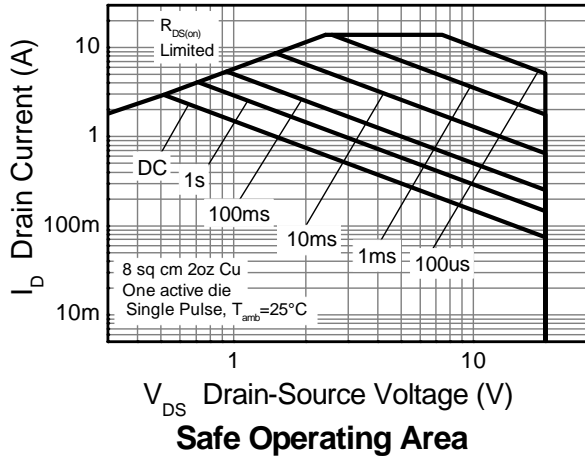
Characteristic			Symbol	Value	Unit
Drain-Source Voltage			V <sub>DSS</sub>	20	V
Gate-Source Voltage			V <sub>GSS</sub>	±12	
Continuous Drain Current	V <sub>GS</sub> = 4.5V	(Notes 4 & 7)	I <sub>D</sub>	3.7	A
		T <sub>A</sub> = 70°C (Notes 4 & 7)		3.0	
		(Notes 3 & 7)		2.9	
Pulsed Drain Current	V <sub>GS</sub> = 4.5V	(Notes 6 & 7)	I <sub>DM</sub>	13	
Continuous Source Current (Body diode)			I <sub>S</sub>	3.0	
Pulse Source Current (Body diode)			I <sub>SM</sub>	13	

**Thermal Characteristics** @T<sub>A</sub> = 25°C unless otherwise specified

Characteristic		Symbol	Value	Unit
Power Dissipation Linear Derating Factor	(Notes 3 & 7)	P <sub>D</sub>	1.50	W mW/°C
	(Notes 4 & 7)		12	
	(Notes 5 & 7)		2.45	
	(Notes 5 & 8)		19.6	
	(Notes 5 & 8)		1.13	
Thermal Resistance, Junction to Ambient	(Notes 3 & 7)	R <sub>θJA</sub>	9	°C/W
	(Notes 4 & 7)		1.70	
	(Notes 5 & 7)		13.6	
	(Notes 5 & 8)		83.3	
Thermal Resistance, Junction to Lead	(Notes 7 & 9)	R <sub>θJL</sub>	51.0	°C/W
Operating and Storage Temperature Range		T <sub>J</sub> , T <sub>STG</sub>	111	
			73.5	
			17.1	
			-55 to +150	°C

- Notes:
3. For a device surface mounted on 28mm x 28mm (8 sq cm) FR4 PCB with high coverage of single sided 2oz copper, in still air conditions; the device is measured when operating in a steady-state condition. The heatsink is split in half with the exposed drain pads connected to each half.
  4. Same as note (3) except the device is measured at t < 5 sec.
  5. Same as note (3), except the device is surface mounted on 31mm x 31mm (10 sq cm) FR4 PCB with high coverage of single sided 1oz copper.
  6. Same as note (3), except the device is pulsed with D = 0.02 and pulse width 300 μs. The pulse current is limited by the maximum junction temperature.
  7. For a dual device with one active die.
  8. For dual device with 2 active die running at equal power.
  9. Thermal resistance from junction to solder-point (at the end of the drain lead).

**Thermal Characteristics**

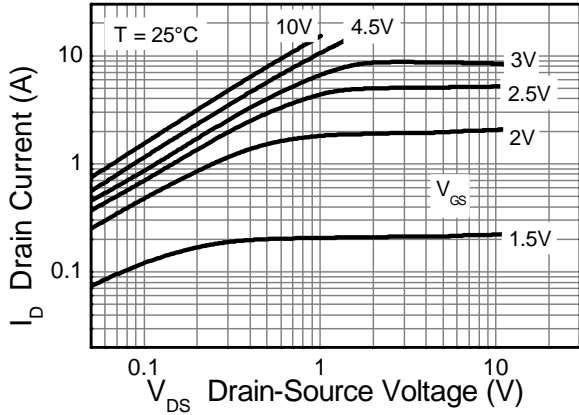


**Electrical Characteristics** @T<sub>A</sub> = 25°C unless otherwise specified

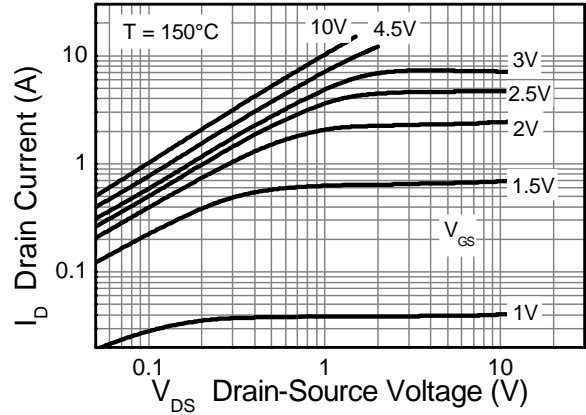
Characteristic	Symbol	Min	Typ	Max	Unit	Test Condition
<b>OFF CHARACTERISTICS</b>						
Drain-Source Breakdown Voltage	BV <sub>DSS</sub>	20	-	-	V	I <sub>D</sub> = 250μA, V <sub>GS</sub> = 0V
Zero Gate Voltage Drain Current	I <sub>DSS</sub>	-	-	1	μA	V <sub>DS</sub> = 20V, V <sub>GS</sub> = 0V
Gate-Source Leakage	I <sub>GSS</sub>	-	-	±100	nA	V <sub>GS</sub> = ±12V, V <sub>DS</sub> = 0V
<b>ON CHARACTERISTICS</b>						
Gate Threshold Voltage	V <sub>GS(th)</sub>	0.7	-	3.0	V	I <sub>D</sub> = 250μA, V <sub>DS</sub> = V <sub>GS</sub>
Static Drain-Source On-Resistance (Note 10)	R <sub>DS(on)</sub>	-	0.085	0.120	Ω	V <sub>GS</sub> = 4.5V, I <sub>D</sub> = 4A
			0.140	0.300		V <sub>GS</sub> = 2.5V, I <sub>D</sub> = 1.5A
Forward Transconductance (Note 10 & 11)	g <sub>fs</sub>	-	6.2	-	S	V <sub>DS</sub> = 10V, I <sub>D</sub> = 4A
Diode Forward Voltage (Note 10)	V <sub>SD</sub>	-	0.9	0.95	V	I <sub>S</sub> = 3.2A, V <sub>GS</sub> = 0V
Reverse Recover Time (Note 11)	t <sub>rr</sub>	-	23	-	ns	I <sub>S</sub> = 4A, di/dt = 100A/μs
Reverse Recover Charge (Note 11)	Q <sub>rr</sub>	-	5.7	-	nC	
<b>DYNAMIC CHARACTERISTICS (Note 11)</b>						
Input Capacitance	C <sub>iSS</sub>	-	299	-	pF	V <sub>DS</sub> = 15V, V <sub>GS</sub> = 0V, f = 1.0MHz
Output Capacitance	C <sub>oss</sub>	-	60	-	pF	
Reverse Transfer Capacitance	C <sub>rSS</sub>	-	33	-	pF	
Total Gate Charge (Note 12)	Q <sub>g</sub>	-	0.8	-	nC	V <sub>GS</sub> = 2.5V
Total Gate Charge (Note 12)	Q <sub>g</sub>	-	3.1	-	nC	V <sub>GS</sub> = 4.5V
Gate-Source Charge (Note 12)	Q <sub>gs</sub>	-	0.7	-	nC	
Gate-Drain Charge (Note 12)	Q <sub>gd</sub>	-	1.0	-	nC	
Turn-On Delay Time (Note 12)	t <sub>D(on)</sub>	-	2.3	-	ns	V <sub>DS</sub> = 10V, I <sub>D</sub> = 4A V <sub>GS</sub> = 5V, R <sub>G</sub> = 6Ω
Turn-On Rise Time (Note 12)	t <sub>r</sub>	-	2.6	-	ns	
Turn-Off Delay Time (Note 12)	t <sub>D(off)</sub>	-	1.6	-	ns	
Turn-Off Fall Time (Note 12)	t <sub>f</sub>	-	1.3	-	ns	

- Notes:
- 10. Measured under pulsed conditions. Width ≤ 300μs. Duty cycle ≤ 2%.
  - 11. For design aid only, not subject to production testing.
  - 12. Switching characteristics are independent of operating junction temperature.

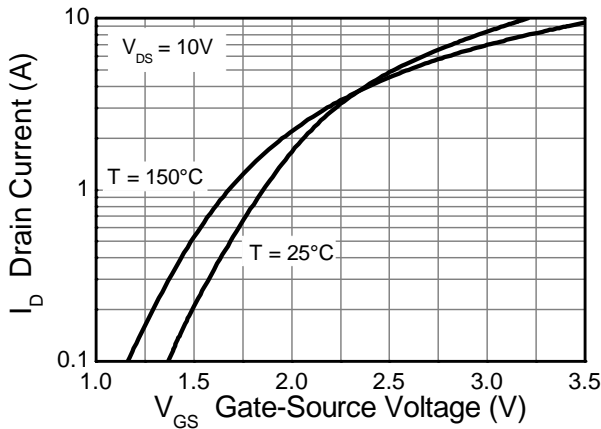
**Typical Electrical Characteristics**



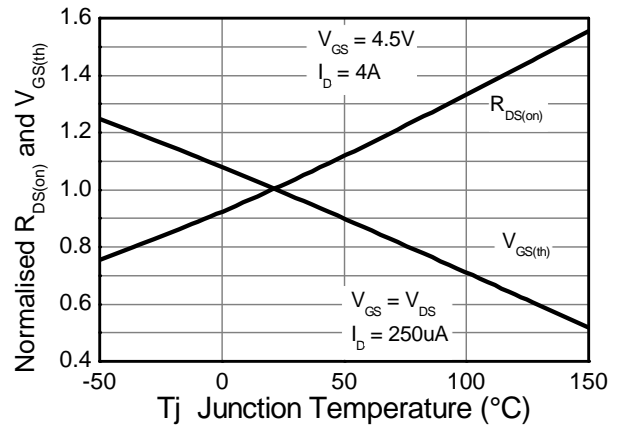
**Output Characteristics**



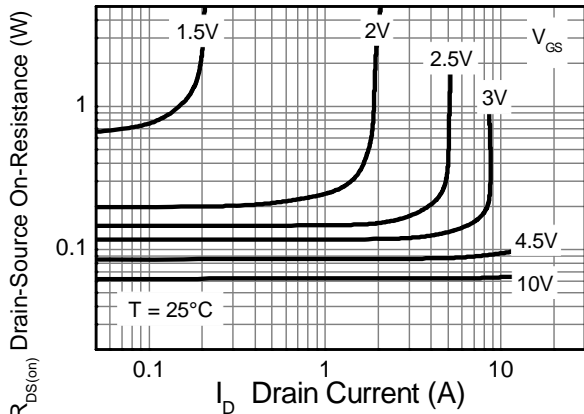
**Output Characteristics**



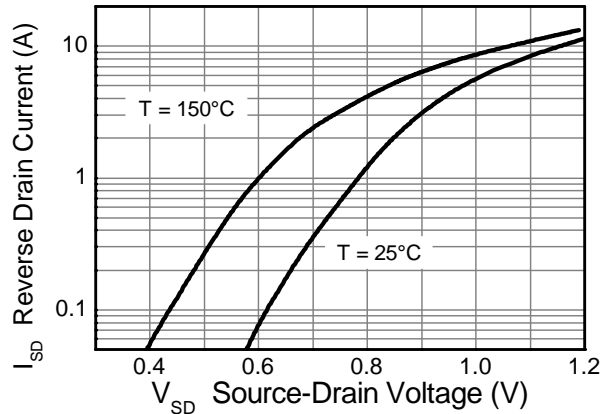
**Typical Transfer Characteristics**



**Normalised Curves v Temperature**

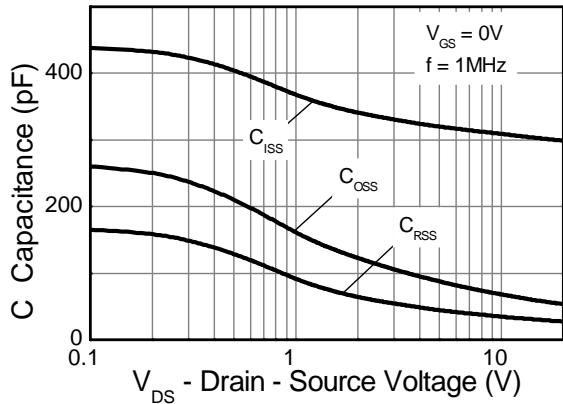


**On-Resistance v Drain Current**

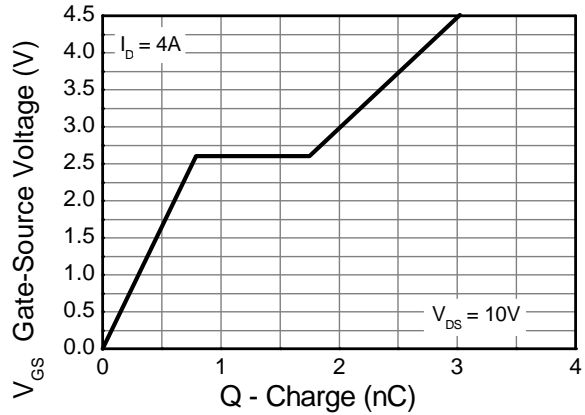


**Source-Drain Diode Forward Voltage**

**Typical Electrical Characteristics - Continued**

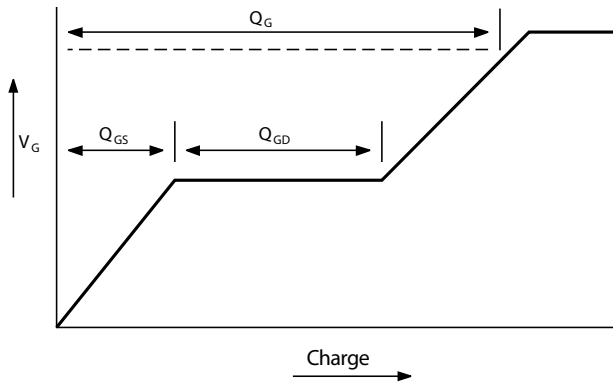


**Capacitance v Drain-Source Voltage**

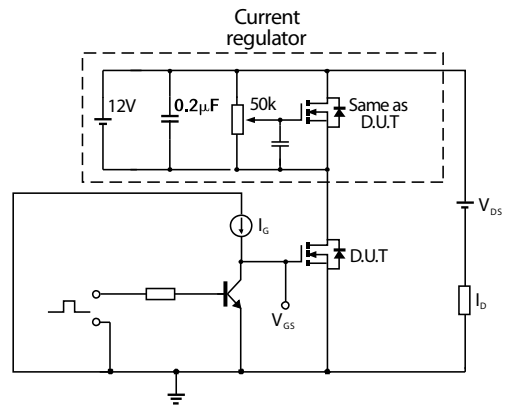


**Gate-Source Voltage v Gate Charge**

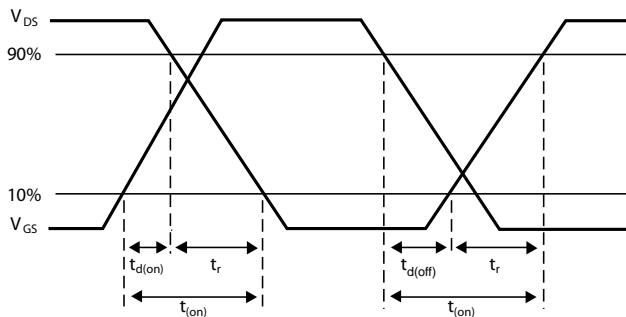
**Test Circuits**



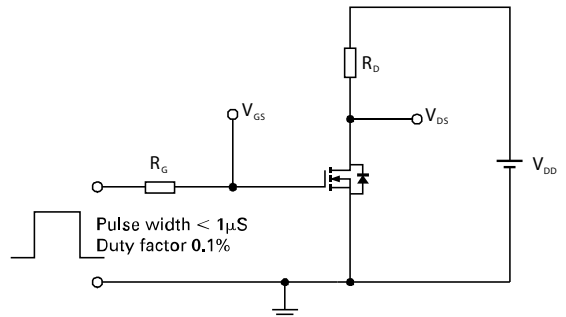
**Basic gate charge waveform**



**Gate charge test circuit**

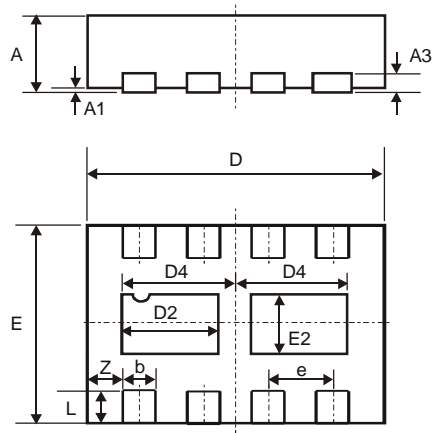


**Switching time waveforms**



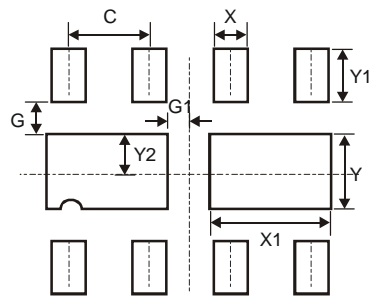
**Switching time test circuit**

**Package Outline Dimensions**



DFN3020B-8			
Dim	Min	Max	Typ
A	0.77	0.83	0.80
A1	0	0.05	0.02
A3	-	-	0.15
b	0.25	0.35	0.30
D	2.95	3.075	3.00
D2	0.82	1.02	0.92
D4	1.01	1.21	1.11
e	-	-	0.65
E	1.95	2.075	2.00
E2	0.43	0.63	0.53
L	0.25	0.35	0.30
Z	-	-	0.375
All Dimensions in mm			

**Suggested Pad Layout**



Dimensions	Value (in mm)
C	0.650
G	0.285
G1	0.090
X	0.400
X1	1.120
Y	0.730
Y1	0.500
Y2	0.365

**IMPORTANT NOTICE**

DIODES INCORPORATED MAKES NO WARRANTY OF ANY KIND, EXPRESS OR IMPLIED, WITH REGARDS TO THIS DOCUMENT, INCLUDING, BUT NOT LIMITED TO, THE IMPLIED WARRANTIES OF MERCHANTABILITY AND FITNESS FOR A PARTICULAR PURPOSE (AND THEIR EQUIVALENTS UNDER THE LAWS OF ANY JURISDICTION).

Diodes Incorporated and its subsidiaries reserve the right to make modifications, enhancements, improvements, corrections or other changes without further notice to this document and any product described herein. Diodes Incorporated does not assume any liability arising out of the application or use of this document or any product described herein; neither does Diodes Incorporated convey any license under its patent or trademark rights, nor the rights of others. Any Customer or user of this document or products described herein in such applications shall assume all risks of such use and will agree to hold Diodes Incorporated and all the companies whose products are represented on Diodes Incorporated website, harmless against all damages.

Diodes Incorporated does not warrant or accept any liability whatsoever in respect of any products purchased through unauthorized sales channel. Should Customers purchase or use Diodes Incorporated products for any unintended or unauthorized application, Customers shall indemnify and hold Diodes Incorporated and its representatives harmless against all claims, damages, expenses, and attorney fees arising out of, directly or indirectly, any claim of personal injury or death associated with such unintended or unauthorized application.

Products described herein may be covered by one or more United States, international or foreign patents pending. Product names and markings noted herein may also be covered by one or more United States, international or foreign trademarks.

**LIFE SUPPORT**

Diodes Incorporated products are specifically not authorized for use as critical components in life support devices or systems without the express written approval of the Chief Executive Officer of Diodes Incorporated. As used herein:

A. Life support devices or systems are devices or systems which:

1. are intended to implant into the body, or
2. support or sustain life and whose failure to perform when properly used in accordance with instructions for use provided in the labeling can be reasonably expected to result in significant injury to the user.

B. A critical component is any component in a life support device or system whose failure to perform can be reasonably expected to cause the failure of the life support device or to affect its safety or effectiveness.

Customers represent that they have all necessary expertise in the safety and regulatory ramifications of their life support devices or systems, and acknowledge and agree that they are solely responsible for all legal, regulatory and safety-related requirements concerning their products and any use of Diodes Incorporated products in such safety-critical, life support devices or systems, notwithstanding any devices- or systems-related information or support that may be provided by Diodes Incorporated. Further, Customers must fully indemnify Diodes Incorporated and its representatives against any damages arising out of the use of Diodes Incorporated products in such safety-critical, life support devices or systems.

Copyright © 2010, Diodes Incorporated

[www.diodes.com](http://www.diodes.com)