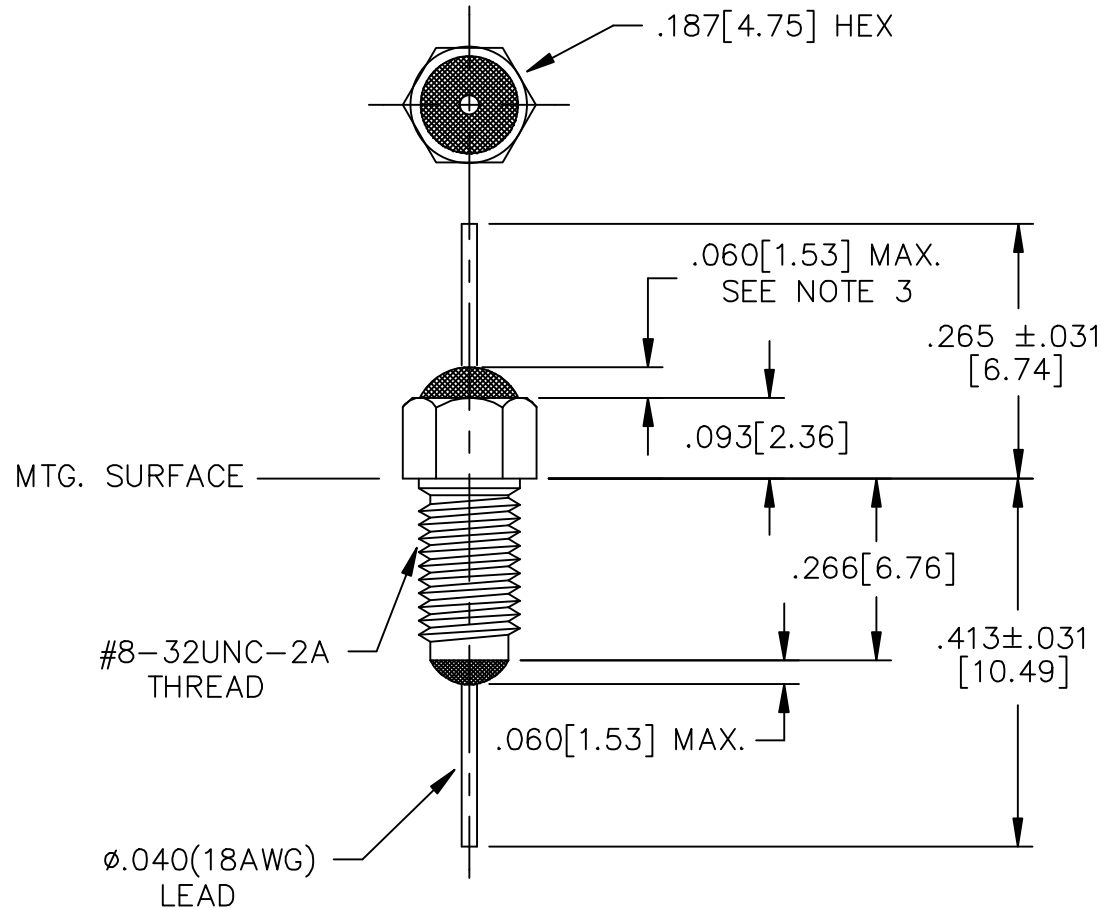


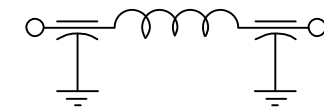
NOTES:

1. MAXIMUM MOUNTING TORQUE = 4lbs-in.
2. HARDWARE IS INCLUDED.
3. NO POTTING VOIDS ALLOWED.
4. THIS IS A LEAD FREE PRODUCT.
5. MAX REFLOW IS 245°C FOR 5 SEC.



LEAD FINISH: TIN/SILVER	
BUSHING FINISH: SILVER	
CAPACITANCE	5500pF +100/-0%
TEMP. RANGE	-55°C TO 125°C
CURRENT	10 AMP MAX.
WORKING VOLTAGE	85°C --- VDC MAX. 125°C 200 VDC MAX.
D.C. RESISTANCE	.01ohms MAX.
MIN. I.L. PER MIL-STD-220 AT 25°C NO LOAD	
FREQ. MHz	I.L. (db)
10	14
30	30
100	55
300	70
1 GHz	70


SCHEMATIC



MARKING:

PART: SF002

BAG:
SCI 51F-744-002
DATE CODE:
QTY./BAG (100 MAX.)

				02	01	00	REV. NO.	TOLERANCES UNLESS OTHERWISE SPECIFIED	 FAIRVIEW PENNSYLVANIA SPECTRUM CONTROL INC.	
				CN 30515-CPD	CN 27340-CPD	CN 19021-CPD	CHANGE NOTICE	Fractions ± 1/64		Dwn. KNOWLTON
								Dec. .xx±	DATE 10/02/06	RESIN SEAL FILTER
								Dec. .xxx±.005	ENGR. D. REILLY	51F-744-002
								Angles ±0° 30'	NOT TO SCALE	
								CODE IDENT. NO. 0LSP2		