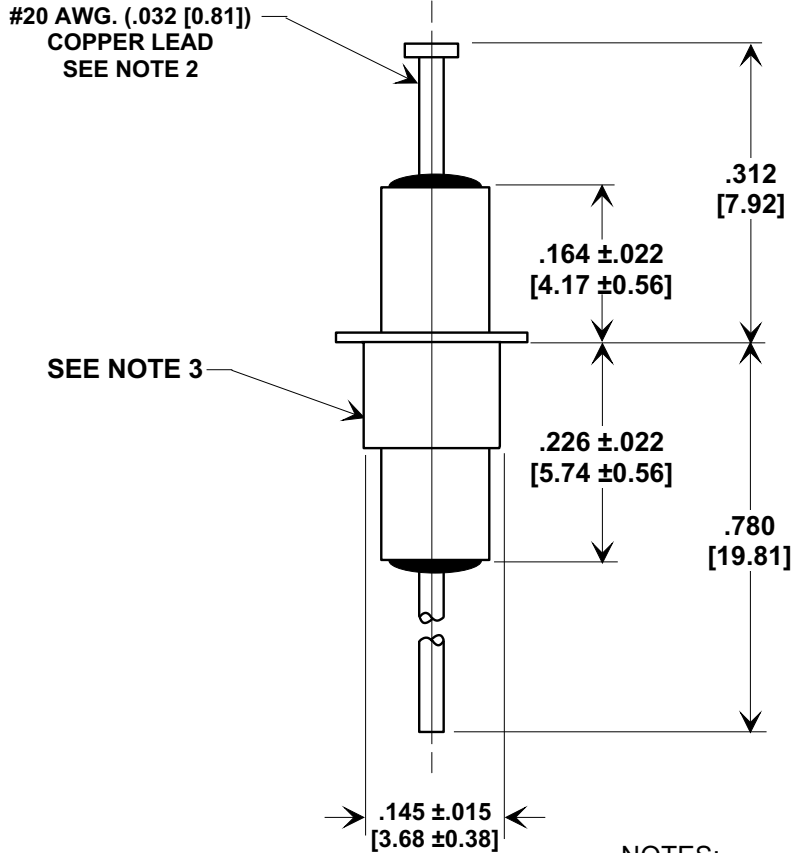
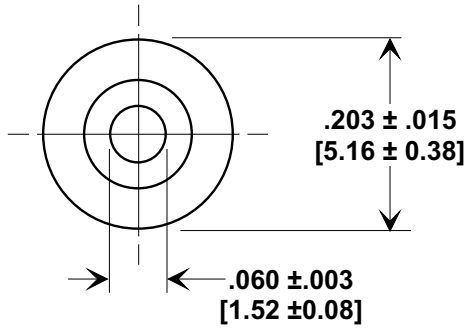
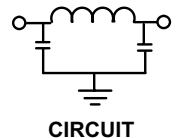
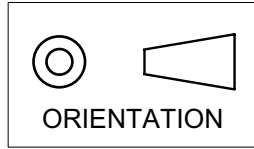


**MARKETING SALES DRAWING**

**DIMENSIONS IN INCHES - DO NOT SCALE THIS DRAWING**  
**DIMENSIONS IN METRIC - [ ]**

This drawing is the property of Tusonix, Inc., and may not be used, reproduced, published or disclosed to others without expressed authorization by Tusonix Inc.

**Electrical Testing**  
**per Tusonix standard**  
**test plans and Mil-Std-202**  
**Test Methods.**



**NOTES:**

1. TUSONIX PART NUMBER: 4151-501.
2. LEAD FINISH: 60/40 SOLDER PLATED.
3. EYELET FINISH: 60/40 SOLDER PLATED.

MIN. CAP. pF	125°C Working Voltage	Current IDC	Minimum No Load Insertion Loss (dB) at 25°C per Mil-Std-220			
			10 MHz	100 MHz	1 GHz	10 GHz
22,000	70 VDC	10 A	25	70	70	70

X-2015 Rev-0 REVISION RECORD Original Release C.O.	0	<b>TUSONIX</b> TUCSON, ARIZONA	--TOLERANCES-- Unless Otherwise Specified		Title <b>EMI FILTER</b> <b>M15733/51-0002</b>		
	DECIMAL ± .031[0.79]		Drawn S.M. 08-16-07		Scale 5 X		
	ANGLES ±		Approved R.L. 08-16-07				
	<b>A</b>		<b>4151-501</b>				