

CGA8P3X7T2E105M250KE

TDK Item Description : CGA8P3X7T2E105MT***S



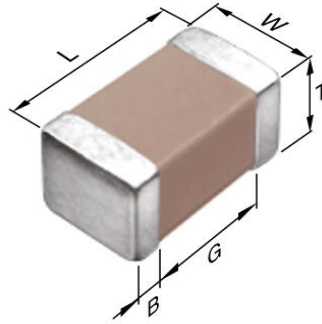
Equivalent C4532X7T2E105M for Automotive

Application & Main Feature

Automotive Grade (Soft Termination)

Series

CGA8(4532) [EIA CC1812]



Dimensions

L	4.50mm +0.5,-0.4mm
W	3.20mm +/-0.4mm
T	2.50mm +/-0.3mm
B	0.20mm Min.
G	

Temperature Characteristic

X7T (-55 to 125 degC +22,-33%)

Rated Voltage

2E (250Vdc)

Capacitance

1uF

Capacitance Tolerance

M (+/-20%)

Dissipation Factor

2.5% Max.

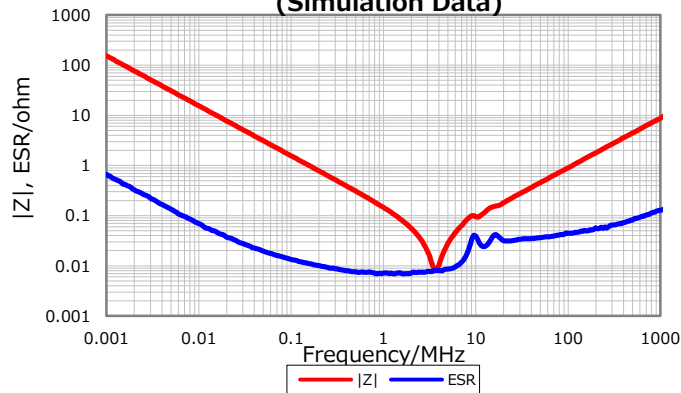
Insulation Resistance

500Mohm Min.

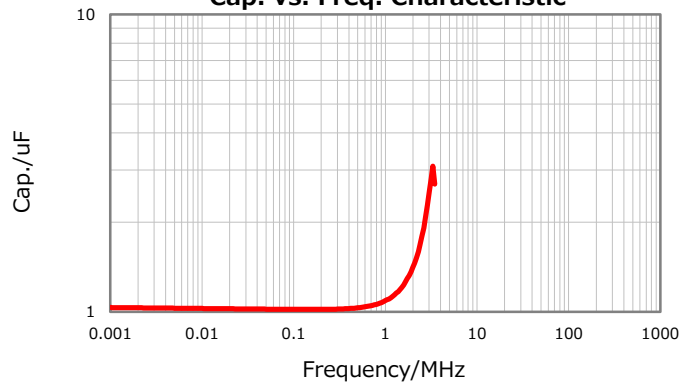
AEC-Q200

Yes

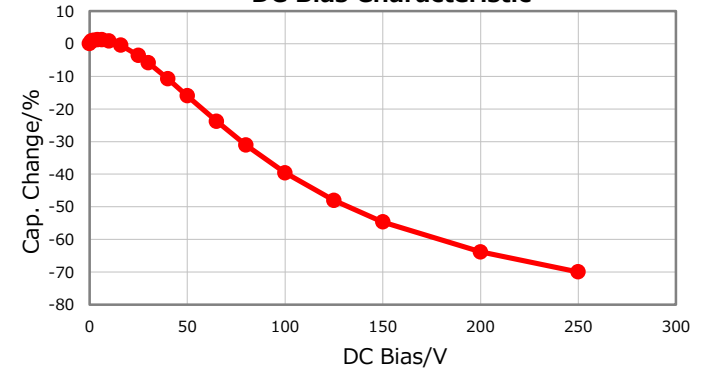
**|Z|, ESR vs. Freq. Characteristics
(Simulation Data)**



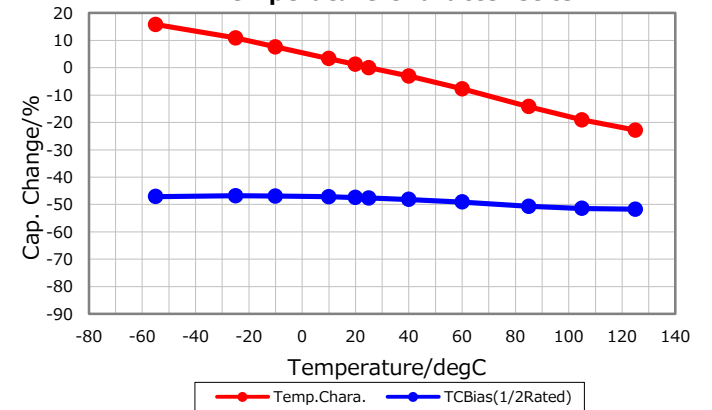
Cap. vs. Freq. Characteristic



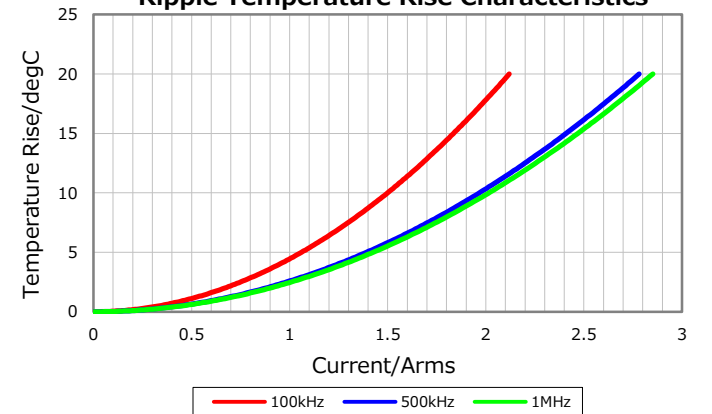
DC Bias Characteristic



Temperature Characteristics



Ripple Temperature Rise Characteristics



Characterization Sheet (Multilayer Ceramic Chip Capacitors)



All specifications are subject to change without notice.

March 17, 2017