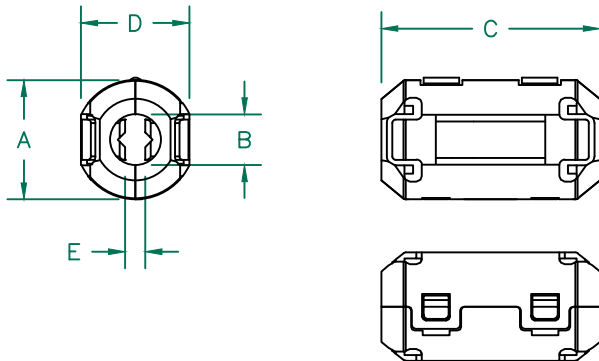


**CORE DIMENSIONS:**

A	13.00 [.512]	+	0.30 [.012]
B	7.00 [.275]	+	0.30 [.012]
C	23.00 [.905]	+	0.50 [.020]
D	6.27 [.247]	+	0.20 [.008]
E	5.00 [.197]	+	0.30 [.012]

Weight/1000 10.6 kgs 23.49 lbs.  
(Per Pair)



**CASE DIMENSIONS:**

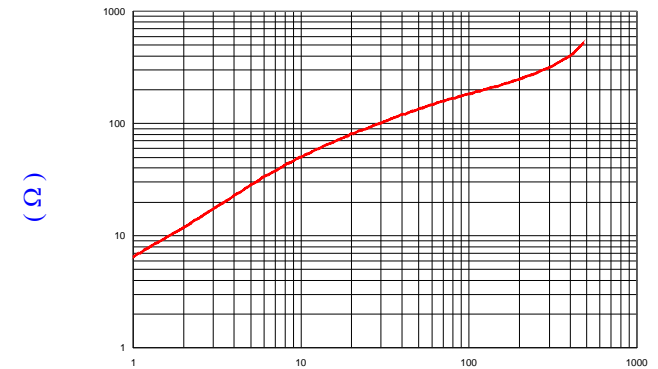
A	16.50 [.650]	+	0.40 [.016]
B	7.00 [.276]	+	0.40 [.016]
C	30.50 [1.201]	+	0.60 [.024]
D	15.25 [.600]	+	0.40 [.016]
E	2.79 [.110]	+	REF.

**UNCONTROLLED DOCUMENT**



IMPEDANCE ( Z )			
Frequency	25 MHz	100 MHz	300 MHz
Nominal (REF)	92 Ω	183 Ω	315 Ω
Minimum	- Ω	146 Ω	- Ω

Z vs. FREQUENCY



FREQUENCY (MHz)

AGILENT E4991A Impedance/Material Analyzer  
HP 16092A-Test Fixture

**NOTES:**

- CASE FLAMMABILITY RATING: UL94 V-0
- CASE MATERIAL: HALOGEN FREE NYLON
- ASSEMBLED PART #: 28A2307-0A2
- CORE PART #: 28A2307-000
- CASE COLOR: BLACK -"0A2"
- COSMETIC SPECIFICATION REFER TO WI-QA-038.

DIMENSIONS ARE IN mm [INCHES].				This print is the property of Laird Tech. and is loaned in confidence subject to return upon request and with the understanding that no copies shall be made without the written consent of Laird Tech. All rights to design or invention are reserved.		<b>Laird</b>	
				PROJECT/PART NUMBER:	REV	PART TYPE:	DRAWN BY:
				28A2307-0A2	D	FERRITE SNAP-ON	TMB
				DATE:	SCALE:	NTS	MATERIAL:
				09/26/08	TMB		Ferrite
				CAD #	TOOL #	-	
				28A2307-0A2-D			
REV	DESCRIPTION	DATE	INT				