

- RF Filter Designed for Front End GPS Applications
- 2.0 x 1.6 mm Surface-Mount Case
- Complies with Directive 2002/95/EC (RoHS)

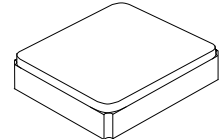


Absolute Maximum Ratings

Rating	Value	Units
Maximum Incident Power in Passband	+10	dBm
Max. DC voltage between any 2 terminals	5	VDC
Operating Temperature Range	-30 to +85	°C
Storage Temperature Range	-30 to +95	°C
Max Soldering Profile	265°C for 10 s	

SF1186H

**1575.42 MHz
SAW Filter**



SM2016-4

Electrical Characteristics

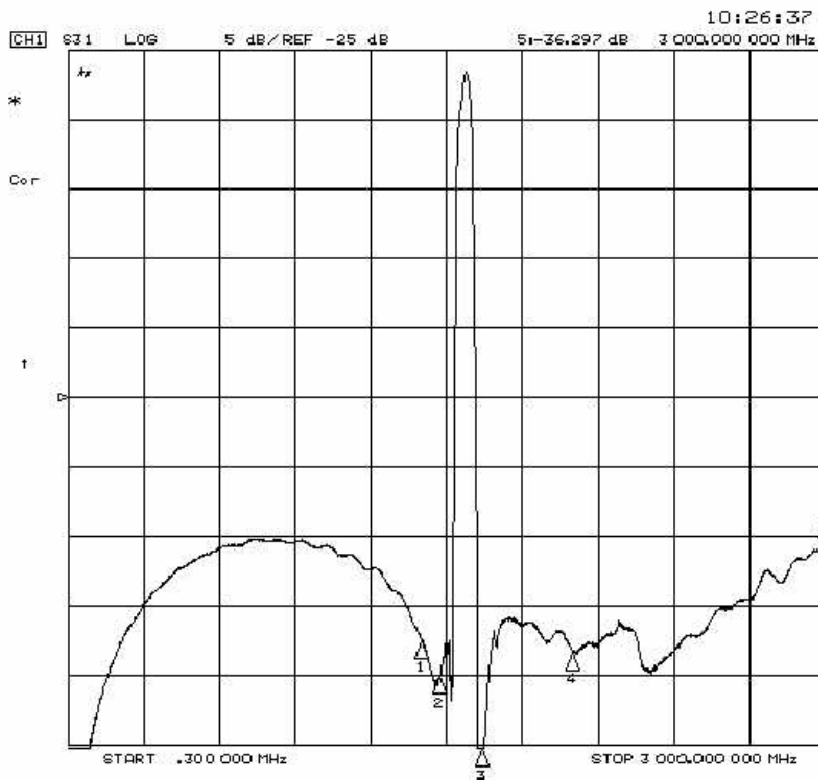
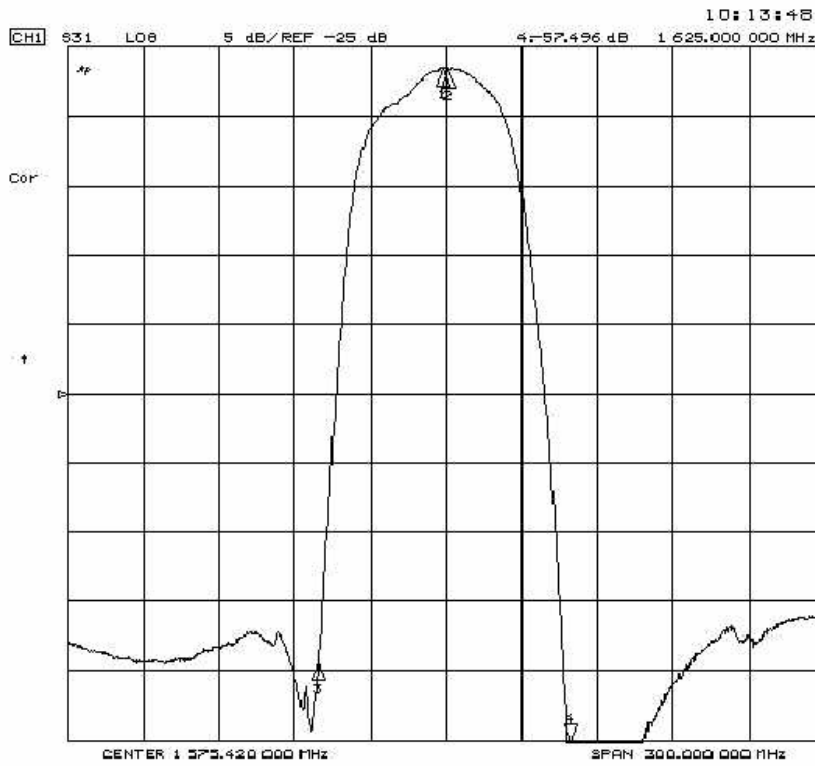
Characteristic	Sym	Notes	Min	Typ	Max	Units
Center Frequency	f_c			1575.42		MHz
Max. Insertion Loss (1574.22 - 1576.62 MHz)	IL			1.5	2.2	dB
Amplitude Ripple (1574.22 - 1576.62 MHz)				0.1	1.0	
Attenuation (Reference level from 0 dB)		D.C. ~ 1400 MHz	33	35		dB
		1400 ~ 1475 MHz	35	42		
		1475 ~ 1525 MHz	25	42		
		1625 ~ 1640 MHz	30	53		
		1640 ~ 2000 MHz	35	41		
		2000 ~ 3000 MHz	25	36		
VSWR (1574.22 - 1576.62 MHz)				1.15	2.0	
Terminating Source impedance	Z_s			50		Ω
Terminating Load impedance	Z_L			50		Ω
Single Ended Input / Output, Impedance match	No matching network required for operation at 50 ohms					
Case Style	SM2016-4					
Lid Symbolization (Y=year, W=week)	2L, YW					



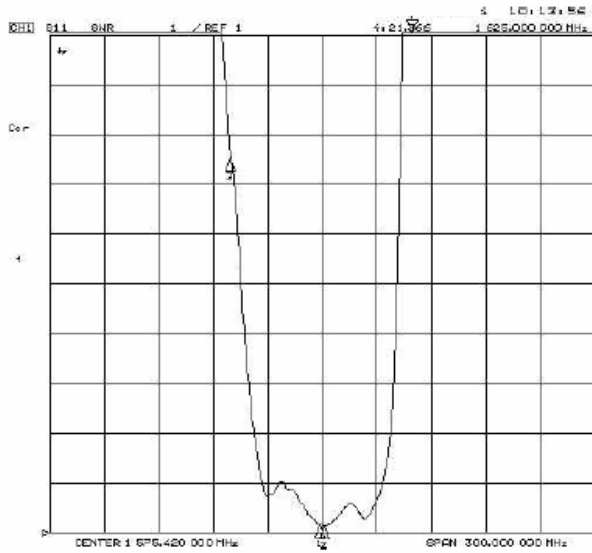
CAUTION: Electrostatic Sensitive Device. Observe precautions for handling.

NOTES:

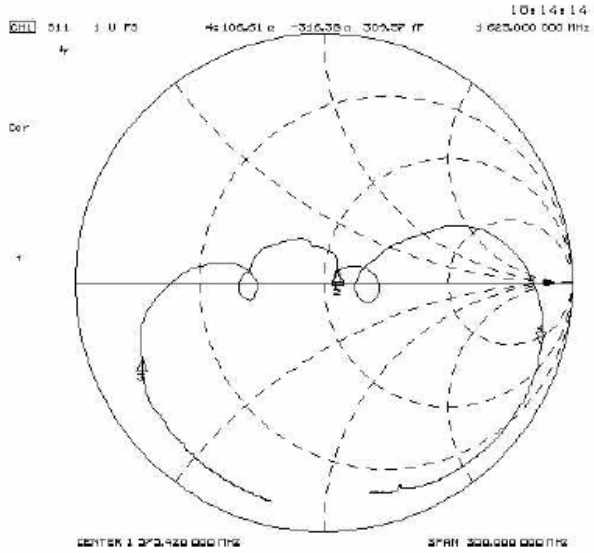
1. US and international patents may apply.
2. Murata, stylized Murata logo, and Murata N.A., Inc. are registered trademarks of Murata Manufacturing Co., Ltd.



S11 VSWR

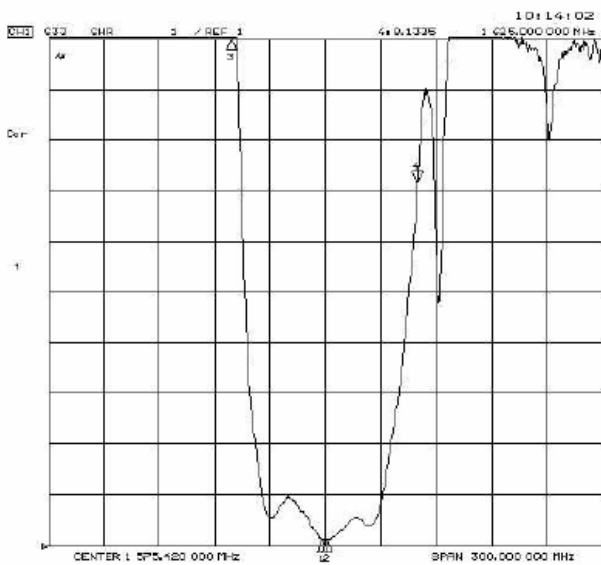


CH1 Markers
 1: 1.1745
 1.57422 GHz
 2: 1.1400
 1.57562 GHz
 3: 2.5349
 1.52500 GHz

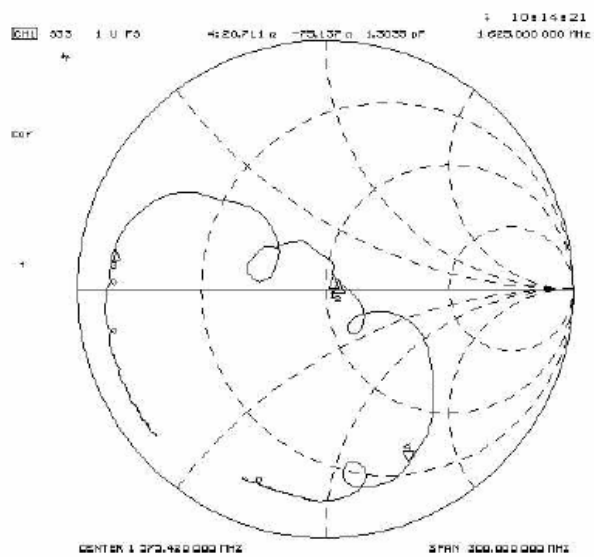


CH1 MARKERS
 1: 1.15269 n
 3.8281 dB
 1.57422 GHz
 2: 1.15762 n
 3.4688 dB
 1.57562 GHz
 3: 1.60223 n
 -2.7325 dB
 1.52500 GHz

S22 VSWR



CH1 Markers
 1: 1.1385
 1.57422 GHz
 2: 1.1421
 1.57562 GHz
 3: 13.265
 1.52500 GHz



CH1 Markers
 1: 1.153107 n
 3.8281 dB
 1.57422 GHz
 2: 1.155037 n
 4.1344 dB
 1.57562 GHz
 3: 1.171853 n
 4.2073 dB
 1.52500 GHz

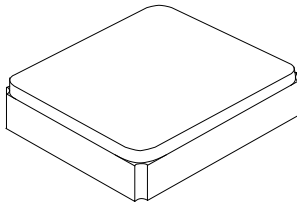
SM2016-4 Case

4-Terminal Ceramic Surface-Mount Case

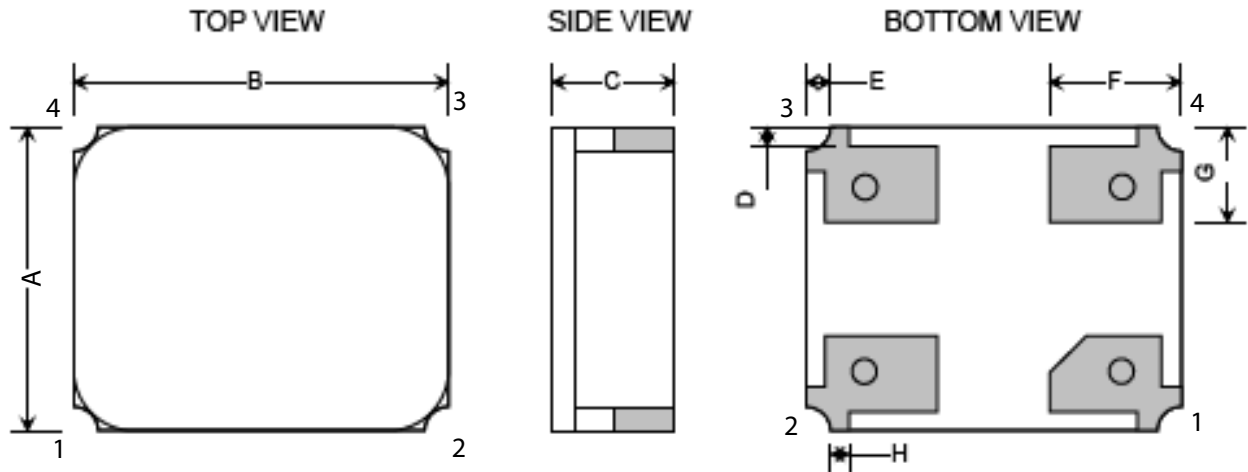
2.0 X 1.6 mm Nominal Footprint

Electrical Connections

Connection	Terminals
Input	1
Output	3
Ground	2, 4



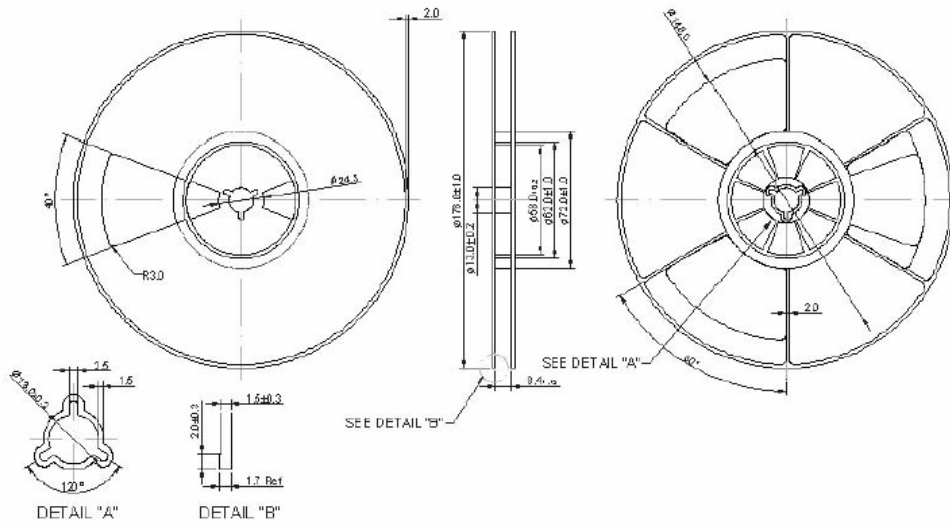
Dimensions	Millimeters			Inches		
	Min	Nom	Max	Min	Nom	Max
A		1.60				
B		2.0				
C		0.90				
D		0.10				
E		0.10				
F		0.70				
G		0.50				
H		0.10				



F. PACKING:

1. REEL DIMENSION

(Reel Count : 7"=2000 typ. ; 13"=10000 typ.)



2. TAPE DIMENSION

